

Mit OT WSM

Single Page Applikationen

Agenda

- ▶ Single Page Applikation
- ▶ Demonstration
- ▶ CMS Implementierung



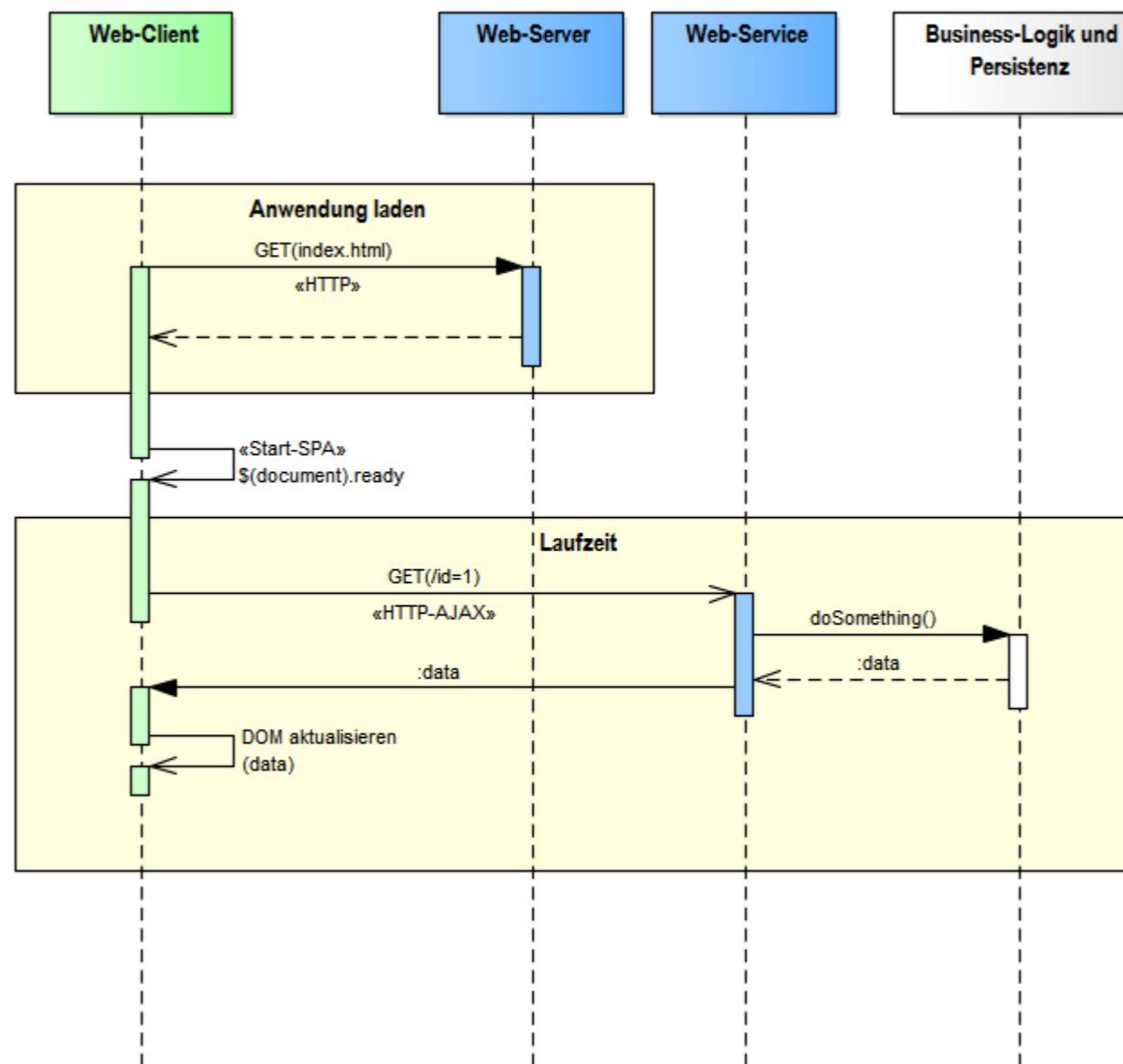
Definition

Single Page Applikation

Single Page Applikation

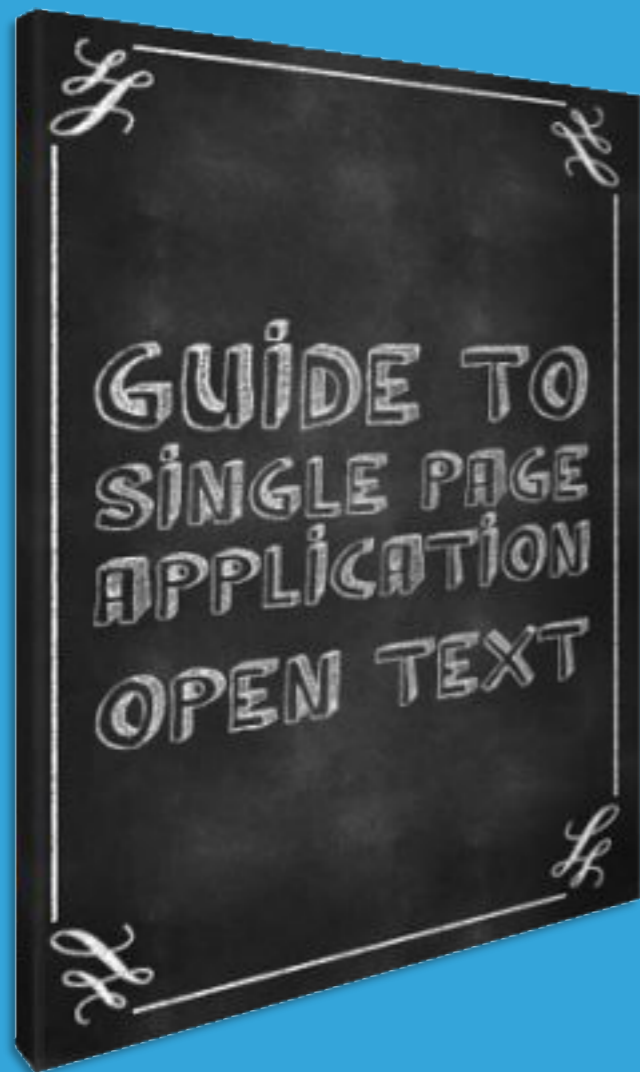
„Als **Single-Page-Webanwendung** (englisch *single-page application*, kurz *SPA*) oder **Einzelseiten-Webanwendung** wird eine Webanwendung bezeichnet, die aus einem einzigen HTML-Dokument besteht und deren Inhalte dynamisch nachgeladen werden. ...“

Single Page Applikation



Single Page Applikation – Routing

- ▶ Verschieden Seiten ohne Neuladen
- ▶ Über die URL gezielt Inhalte angesprungen werden sollen

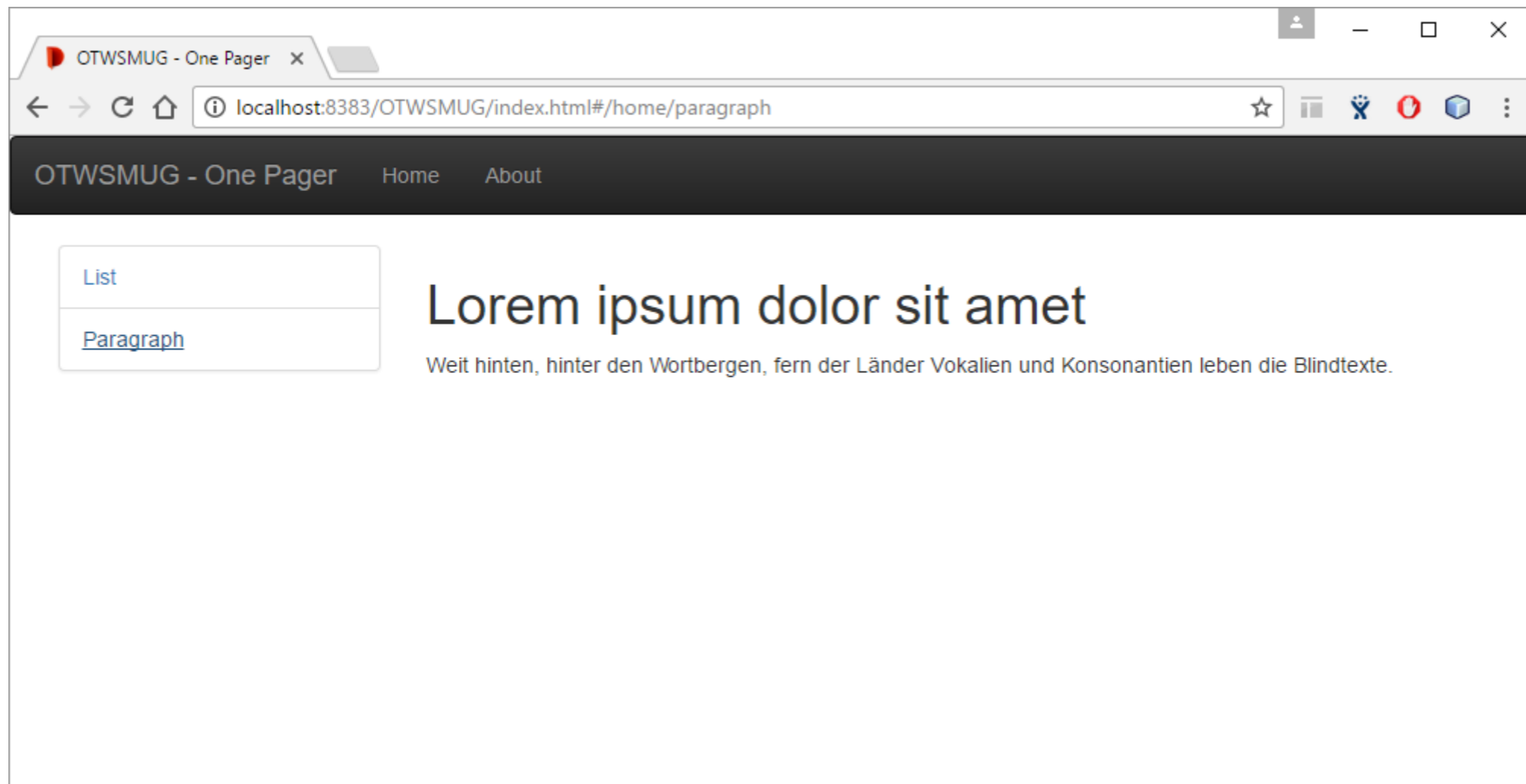


Demo

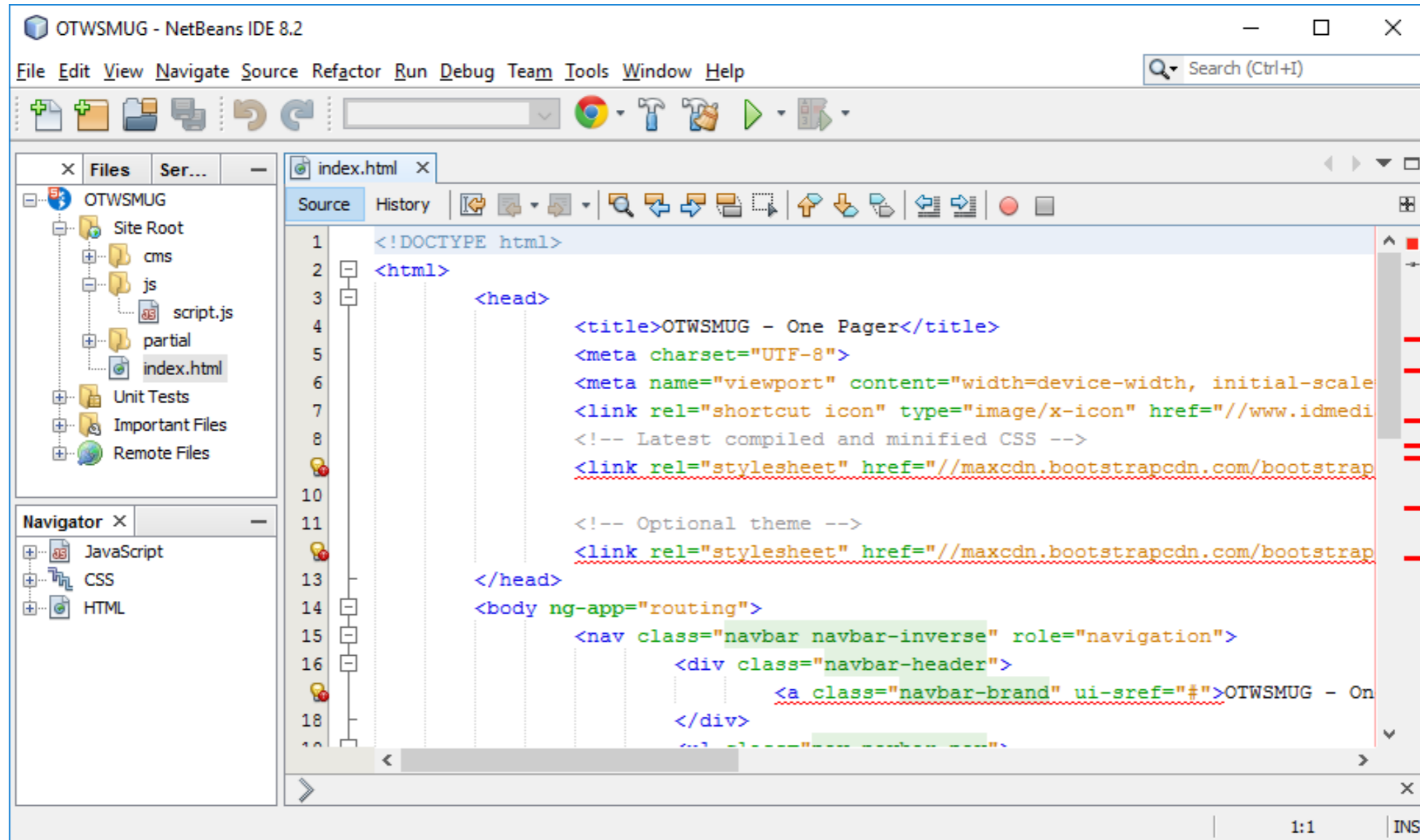
Benötigte Komponenten

- ▶ Bootstrap v3.3.7 (<http://getbootstrap.com/>)
- ▶ jQuery v2.2.4 (<https://jquery.com/>)
- ▶ AngularJS v1.2.13 (<https://angularjs.org/>)
- ▶ UI Router v0.2.8 (<https://ui-router.github.io/>)

Demo



Demo



OTWSMUG - NetBeans IDE 8.2

File Edit View Navigate Source Refactor Run Debug Team Tools Window Help

Search (Ctrl+I)

Files Ser...

OTWSMUG

- Site Root
 - cms
 - js
 - script.js
 - partial
 - index.html
- Unit Tests
- Important Files
- Remote Files

Navigator

- JavaScript
- CSS
- HTML

index.html

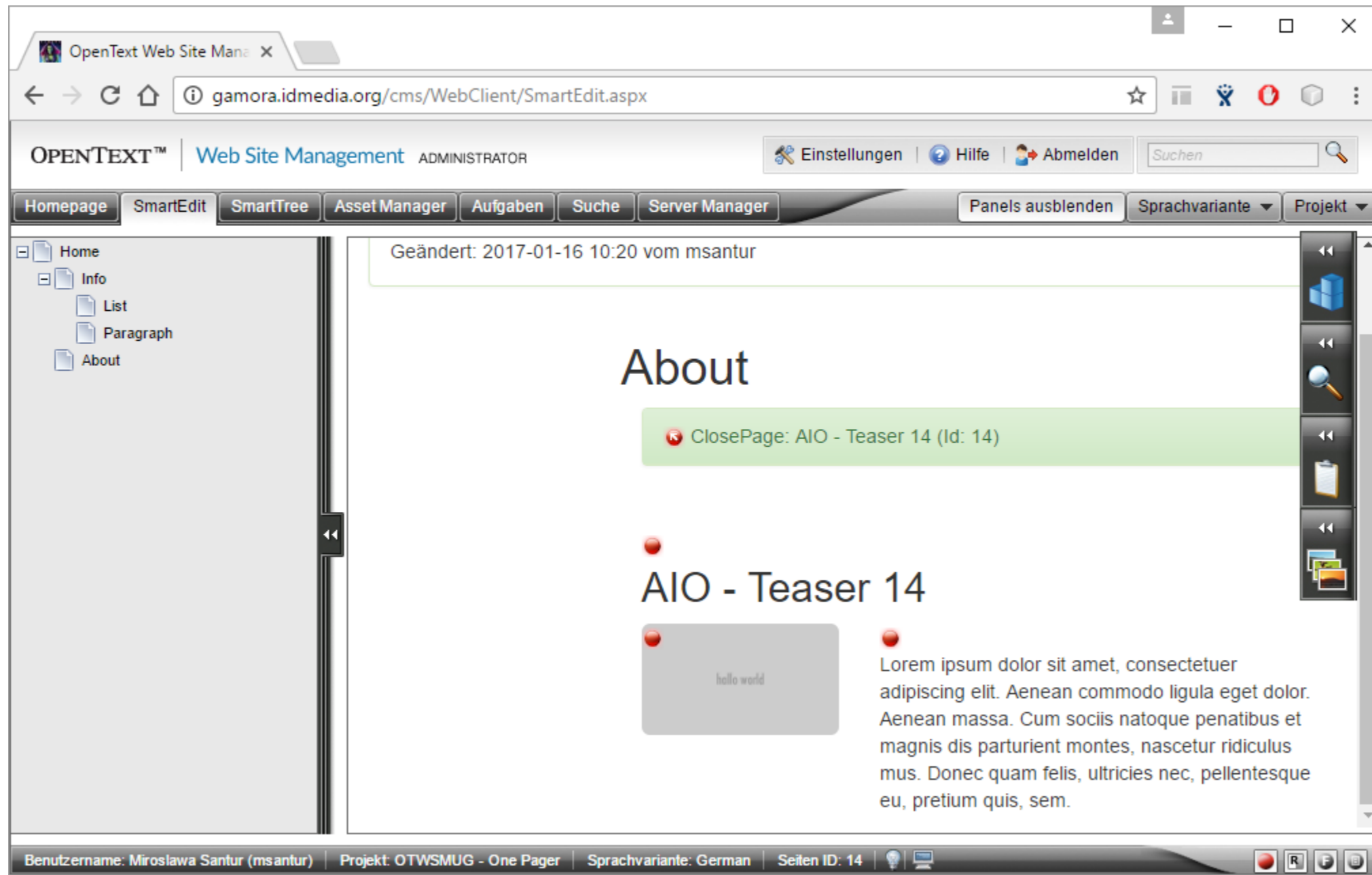
```
1 <!DOCTYPE html>
2 <html>
3   <head>
4     <title>OTWSMUG - One Pager</title>
5     <meta charset="UTF-8">
6     <meta name="viewport" content="width=device-width, initial-scale=1">
7     <link rel="shortcut icon" type="image/x-icon" href="//www.idmedia.com/images/favicon.ico">
8     <!-- Latest compiled and minified CSS -->
9     <link rel="stylesheet" href="//maxcdn.bootstrapcdn.com/bootstrap/3.3.7/css/bootstrap.min.css">
10
11    <!-- Optional theme -->
12    <link rel="stylesheet" href="//maxcdn.bootstrapcdn.com/bootstrap/3.3.7/css/bootstrap-theme.min.css">
13  </head>
14  <body ng-app="routing">
15    <nav class="navbar navbar-inverse" role="navigation">
16      <div class="navbar-header">
17        <a class="navbar-brand" ui-sref="#">OTWSMUG - One Pager</a>
18      </div>
19    </nav>
20  </body>
21 </html>
```

1:1 INS

CMS

Implementierung

Demo



The screenshot displays the OpenText Web Site Management SmartEdit interface. The browser address bar shows the URL `gamora.idmedia.org/cms/WebClient/SmartEdit.aspx`. The page header includes the OpenText logo, 'Web Site Management ADMINISTRATOR', and navigation links for 'Einstellungen', 'Hilfe', and 'Abmelden'. A search bar is also present.

The main navigation menu includes 'Homepage', 'SmartEdit', 'SmartTree', 'Asset Manager', 'Aufgaben', 'Suche', and 'Server Manager'. The 'SmartEdit' tab is active. On the right side of the navigation bar, there are options for 'Panels ausblenden', 'Sprachvariante', and 'Projekt'.

The left sidebar shows a file tree structure with 'Home', 'Info', 'List', 'Paragraph', and 'About'.

The main content area shows a page titled 'About' with the following content:

- Geändert: 2017-01-16 10:20 vom msantur
- A green warning box: **ClosePage: AIO - Teaser 14 (Id: 14)**
- A section header: **AIO - Teaser 14**
- A placeholder image with the text 'hallo world'.
- Text: Lorem ipsum dolor sit amet, consectetur adipiscing elit. Aenean commodo ligula eget dolor. Aenean massa. Cum sociis natoque penatibus et magnis dis parturient montes, nascetur ridiculus mus. Donec quam felis, ultricies nec, pellentesque eu, pretium quis, sem.

The bottom status bar displays: 'Benutzername: Mirosława Santur (msantur) | Projekt: OTWSMUG - One Pager | Sprachvariante: German | Seiten ID: 14'.

Vielen Dank für Ihre Aufmerksamkeit

Miroslawka Santur

I-D MEDIA AG

contact@idmedia.com

<http://www.idmedia.de>

Konrad-Adenauer-Ufer 39

D-50668 Köln

Fon +49 (0) 221 – 399 603 - 0

Fax +49 (0) 221 – 399 603 - 19